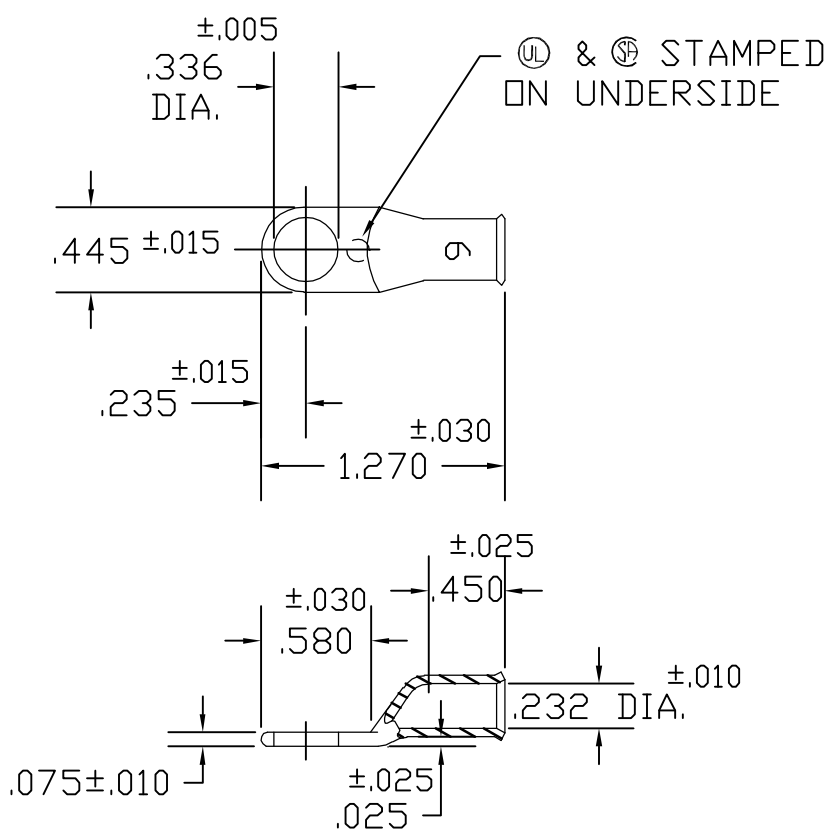


THIS DRAWING IS UNPUBLISHED. RELEASED FOR PUBLICATION
 © COPYRIGHT - BY TYCO ELECTRONICS CORPORATION. ALL RIGHTS RESERVED.

LOC	DIST	REVISIONS					
G	50	P	LTR	DESCRIPTION	DATE	DWN	APVD
		B1		REV PER ECR 06-008283	27APR06	JR	MS



ACTIVE	6561-00-D	SMALL PACK	PLAIN	8-1526173-1
ACTIVE	6561-01	STANDARD	TIN PLATE	1526173-2
ACTIVE	6561-00	STANDARD	PLAIN	1526173-1
STATUS	AET P/N	PACKAGING	FINISH	PART NUMBER

THIS DRAWING IS A CONTROLLED DOCUMENT.		DWN D.A.A	10/30/00	Tyco Electronics Corporation Harrisburg, PA 17105-3608	
DIMENSIONS: INCHES		CHK H.D.F	10/30/00		
		APVD H.D.F	10/30/00	NAME 6 STANDARD TERMINAL	
TOLERANCES UNLESS OTHERWISE SPECIFIED: 0 PLC ± - 1 PLC ± - 2 PLC ± - 3 PLC ± - 4 PLC ± - ANGLES ± -		PRODUCT SPEC	-		RESTRICTED TO
MATERIAL COPPER ASTM B-152		FINISH	-		SCALE
		WEIGHT	-		SIZE
		CUSTOMER DRAWING		CAGE CODE	REV
				A3 00779	B1
				DRAWING NO	SHEET
				C=1526173	1 OF 1